

PORTABLE HIGH PRESSURE POWER PACK

type RPS

Resato's portable power pack type RPS is a self contained air-driven unit of proven design.

Not only can it be used to pressurize valves, fittings, hoses, piping, vessels and wellhead equipment, but it is also suitable for supply of hydraulic power to operate cylinders, presses, rams, jacks, bolt tensioners and actuators.

Water, oil or an emulsion of both can be used as the high pressure medium. Other applications such as chemical injection can be carried out as the unit is suitable for a wide range of chemicals.

The portable power pack is available with direct water feed or with integrated reservoir.

The RPS as standard is available in 14 pressure ranges in a single-acting or double-acting pump configuration. As an option, the units can be fitted with a chart recorder. The resultant chart can be used as a test certificate.

PUMP

The unique design of the Resato high pressure air-driven pump makes the pump operate silently. High volume displacement, reliability and easy maintenance are other advantages of the modern pump design. The high-pressure seals can be replaced without disassembling the complete pump.

ORDERING CODE

See ordering system in document

☎ +31 (0) 50 501 6877
✉ hpsales@resato.com
🌐 www.resato.com



KEY FEATURES

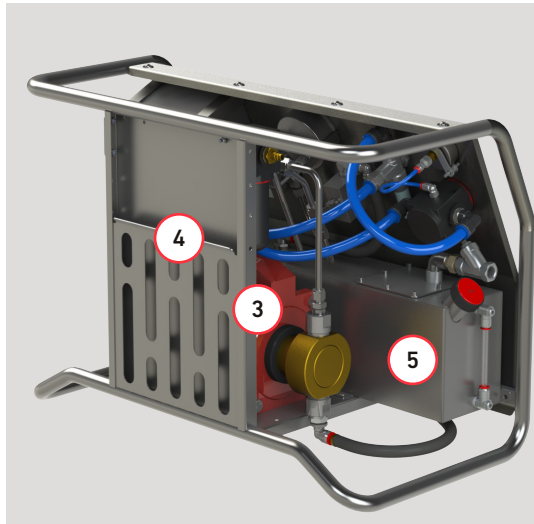
- Portable and easy to move
- Modular design
- Suitable for pressurizing oil, water or other fluids
- Atex version available
- Panel mounted operating features

KEY SPECIFICATIONS

- Stainless steel wetted parts
- Pressures up to 4200 bar / 60,000 psi
- Flow up to 50 l/min
- Stainless steel frame

PORTABLE HIGH PRESSURE POWER PACK

type RPS



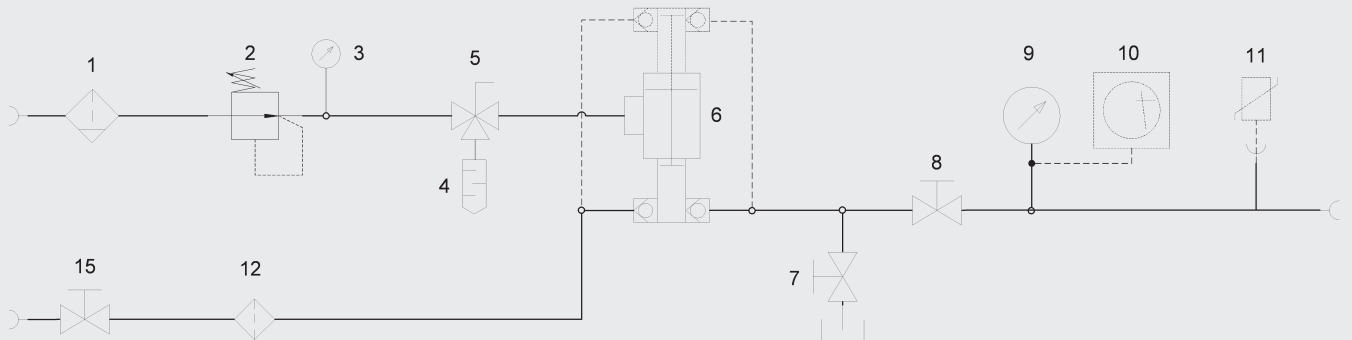
ITEM	DESCRIPTION
1	Front panel exchangeable with or without recorder
2	Engraved flow diagram
3	Atex earth connection
4	Document holder
5	Reservoir 17L (optional)
6	Pushbar with hose bracket (accessory)

PORTABLE HIGH PRESSURE POWER PACK

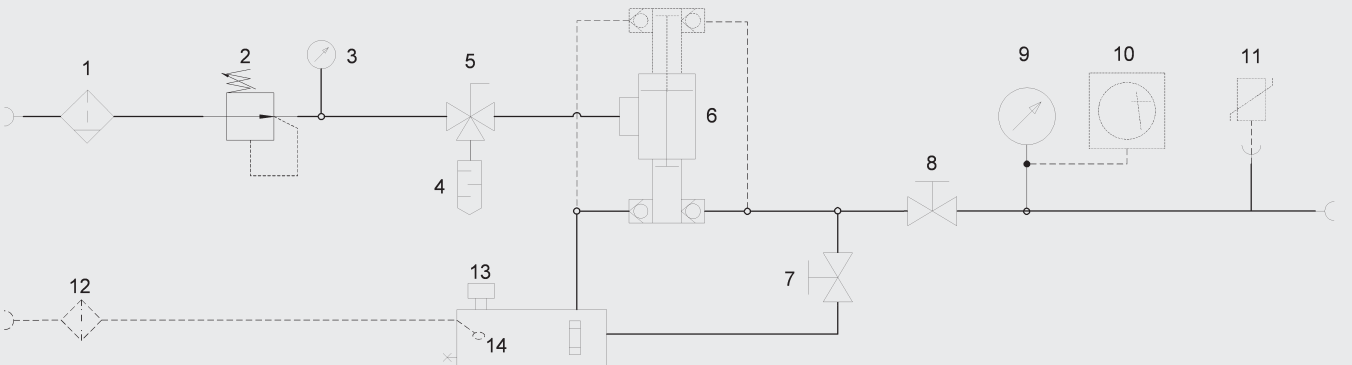
type RPS

FLOW CHARTS

RPS-W WITH DIRECT FEED



RPS-D WITH RESERVOIR



- | | | |
|---------------------------|-------------------------|-------------------------------------|
| 1. Air filter | 6. High pressure pump | 11. Pressure transmitter connection |
| 2. Air pressure regulator | 7. Bleed valve | 12. Inlet filter |
| 3. Air pressure gauge | 8. Isolate valve | 13. Reservoir |
| 4. Silencer | 9. Pressure gauge | 14. Float cock (optional) |
| 5. Three way ball valve | 10. Recorder (optional) | 15. Direct feed valve |

PORTABLE HIGH PRESSURE POWER PACK

type RPS

UNIT DESCRIPTION

MATERIALS

All wetted parts, such as pump head, valves, tubing, fittings and gauges are made of stainless steel, as is the reservoir, frame and optional pressure recorder. The seals are made of Teflon (valve), Viton (check valves) and U-PE for the high pressure plunger seals. Other seal materials and special seals are available.

OUTLET PRESSURE GAUGE

Class 1.0% F.S., housing \varnothing 100 mm (4 inch), fully stainless steel, filled with glycerin and fitted with laminated safety glass. For pressures above 2800 bar solid front type gauge are installed. For ranges, see type table.

AIR PRESSURE GAUGE

Range 0-10 bar / 0-140 psi, class 1.6% F.S., housing \varnothing 63 mm (2.5 inch) fully stainless steel, filled with glycerin and fitted with laminated safety glass.

RECORDER (OPTIONAL)

Mechanical, clockwork-driven. Class 2.0% F.S. Fully stainless steel, chart diameter \varnothing 163 mm (6.5 inch). Range in accordance with installed test gauge. For chart revolutions, see type table.

PC DATA ACQUISITION AND RECORDING SYSTEM (OPTIONAL)

Documentation of test results is very important. For that purpose Resato offers a PC data acquisition and recording system (type CR). This system generates a test certificate with a graph immediately after completion of a test.

FLOAT COCK (OPTIONAL)

If a reservoir is ordered, a float cock can be installed as an option. It is used for automatic reservoir filling with direct water feed while avoiding overflow and (in the event of low water pressure) back-flow.

ATEX (OPTIONAL)

Resato air driven pumps can be delivered in a version that complies with ATEX 94/9/EC. The Resato pumps are ATEX approved for Group II, category 2, Gas and Dust environment.

CERTIFICATION

The Resato portable power pack is supplied with a unit test certificate, a calibration report for the test gauge and optional recorder, and an operating and maintenance manual.

PORTABLE HIGH PRESSURE POWER PACK

type RPS

TYPE ORDERING SYSTEM

Unit type	Reservoir	Pump	Ratio	Flow	Scale	Outlet
RPS	D	160	65	(1 Single acting pump) 2 Double acting pump	D (dual)	B

Order example: **RPS-D-160-65-2-D-B**

TYPE TABLE

Reservoir	Pump	Ratio	Max. outlet pressure		Flow (L/min)		Gauge range (Dual scale)		HP outlet connection
			bar	psi	1	2	psi	bar	
D = 17 l Reservoir W = No reservoir	160	10	70	1025	26.3	50.0	1500	100	B = FU2 connection (3/4" - 16 UNF HP-female; for 3/8" or 10 mm HP tubing)
		20	145	2100	13.2	25.0	3000	200	
		30	200	2850	9.5	18.0	4000	275	
		40	285	4100	6.4	12.2	6000	410	
		65	450	6400	4.2	8.0	10,000	690	
		115	795	11,400	2.4	4.5	15,000	1030	
		180	1240	17,800	1.5	2.9	25,000	1720	
		255	1790	25,600	1.1	2.1	35,000	2410	
		400	2800	40,000	0.7	1.3	55,000	3790	
	520	3660	52,250	0.5	0.9	70,000	5000		
	200	30	230	3375	11	21.0	5000	340	
		45	310	4450	7.8	15.0	6000	410	
		65	450	6400	5.4	10.5	10,000	690	
		100	700	10,000	3.5	6.6	15,000	1030	
180		1240	17,800	1.9	3.7	25,000	1720		
		280	1940	27,800	1.2	2.4	40,000	2750	
		400	2800	40,000	0.9	1.6	55,000	5000	

PORTABLE HIGH PRESSURE POWER PACK

type RPS

OPTION ORDERING SYSTEM

RPS TYPE:	Recorder	Float cock	Atex
RPS-D-160-65-2-D-B	/PR24	/F	/EX

Order example: **RPS-D-160-65-2-D-B/PR24/F/EX**

OPTION TABLE

Recorder		Float cock	Atex
rev/hr	rev/hr		
bar reading	psi reading		
BR0 = 1/4 hr	PR0 = 1/4 hr	F	EX
BR1 = 1 hr	PR1 = 1 hr		
BR4 = 4 hrs	PR4 = 4 hrs		
BR8 = 8 hrs	PR8 = 8 hrs		
BR24 = 24 hrs	PR24 = 24 hrs		

ACCESSORIES

HOSES AND ADAPTERS

Pump	Ratio	Hose	Adapter to object
160	10	Type 4SP-3/8"-5000 <ul style="list-style-type: none"> Length 5 meters ID 10 mm, OD 21,2 mm Max. working pressure: 440 bar / 6400 psi Both ends are provided with a 1/2" BSP-female-swivel Including unit connection adapter Including test certificate. 	Type CMH-AMT-07 <ul style="list-style-type: none"> 1/2" BSP-male-hose * 1/4" NPT-male Max. working pressure 700 bar / 10,000 psi Stainless steel
	20		
	30		
	40		
	200		65
30			
45			
	65		

PORTABLE HIGH PRESSURE POWER PACK

type RPS

ACCESSORIES

HOSES AND ADAPTERS

Pump	Ratio	Hose	Adapter to object	
160	115	Type H-5/4-5000-B-B-C <ul style="list-style-type: none"> • Length 5 meters • ID 5 mm, OD 11.2 mm • Max. working pressure 1800 bar / 26,000 psi • Both ends provided with 3/8"-24 UNF-LH male + cone • Including glands (MU2-10) and collars (MU2-11) • Including test certificate. 	Type FU2-AMT-16 <ul style="list-style-type: none"> • 3/4"-16 UNF female * 1/4" NPT-male • Max. working pressure 1600 bar / 23,000 psi • Stainless steel 	
	180			Type FU2-BMT-10 <ul style="list-style-type: none"> • 3/4"-16 UNF female * 3/8" NPT-male • Max. working pressure 1000 bar / 15,000 psi • Stainless steel
	255			
200	100			
	180			
	280			

Pump	Ratio	Hose	Adapter to object	
160	400	Type H-4/6-5000-B-B-C <ul style="list-style-type: none"> • Length 5 meters • ID 5 mm, OD 13.5 mm • Max. working pressure 2800 bar / 40,600 psi • Both ends provided with 3/8"-24 UNF-LH male + cone • Including glands (MU2-10) and collars (MU2-11) • Including test certificate. 	Type FU2-AMT-16 <ul style="list-style-type: none"> • 3/4"-16 UNF female * 1/4" NPT-male. • Max. working pressure 1600 bar / 23,000 psi • Stainless steel 	
				Type FU2-BMT-10 <ul style="list-style-type: none"> • 3/4"-16 UNF female * 3/8" NPT-male • Max. working pressure 1000 bar / 15,000 psi • Stainless steel
200	400			

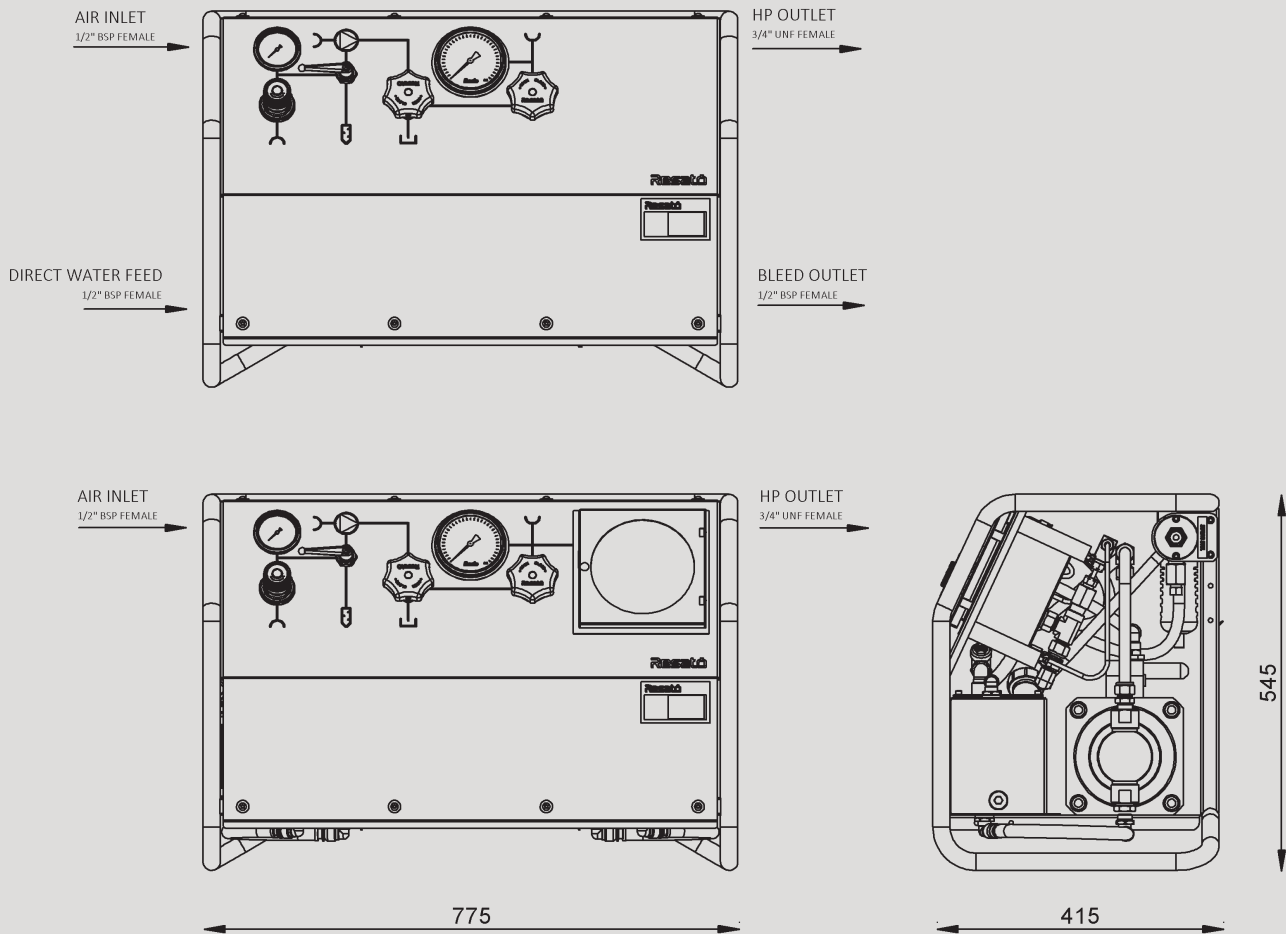
TRANSPORTATION

Transportation
Removable pushbar with bracket for hose storage, see page 2 item 6

PORTABLE HIGH PRESSURE POWER PACK

type RPS

DIMENSIONS



TECHNICAL SPECIFICATIONS

GENERAL

Net. weight:	approx. 40 kg
Reservoir volume (optional)	17 l
Legislation	2006/42/EG - Machinery Directive 94/9/EG - Atex Directive (optional)
Noise level	< 84 dBA
De air	1/2" BSP silencer
Ambient temperature	-20 - 60 °C

PORTABLE HIGH PRESSURE POWER PACK

type RPS

TECHNICAL SPECIFICATIONS

AIR

Consumption	max. 3 Nm ³ /min
Connection	½" BSP female
Maximum pressure	7 bar
Air*	Dry and filtered air. No lubrication
Filtering degree	20 micron
Air quality standard	ISO 8573-1 Class 2.3.2

HIGH PRESSURE CONNECTIONS

Outlet connection	FU2 (¾" - 16 UNF HP-female; for ¾" or 10 mm HP tubing)
Transmitter connection	FU1 (9/16" - 28 UNF HP-female; for ¼" or 6 mm HP tubing)

MEDIUM

Connection	½" BSP female
Type**	Water Oil Emulsion of water and oil
Cleanliness	ISO 4406 - 14/9
Viscosity	1,10 - 3 to 1 Pa.s
Temperature	-10 - 60 °C

* The pump has a lifetime lubrication. Once lubricated air is used lubrication will be needed for the lifetime of the unit.

** For any other media please contact Resato for advice.

Resato international BV

1e Energieweg 13

9301 LK Roden - Holland

P.O. Box 30

9300 AA Roden - Holland

hpsales@resato.com

www.resato.com/highpressure

+31 (0) 50 501 6877

+31 (0) 50 501 2402

V1.6 - Please note that general data and specifications given in this brochure are subject to change without notice.

Feel free to contact our sales department if you need more definite information.